



ALUMINUM ECONO TRUCK RACK INSTRUCTIONS UETR SERIES

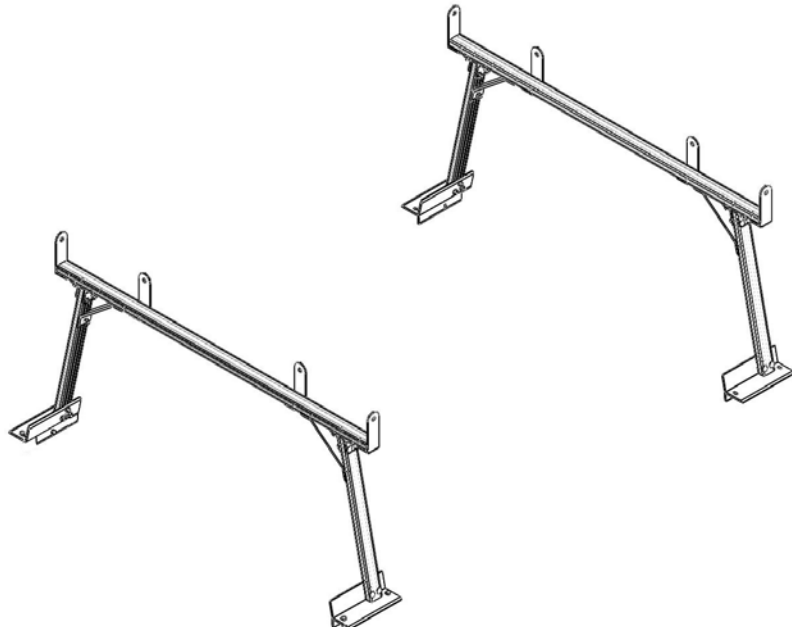
Package Contents:

PARTS

- (2) CROSSBARS
- (4) LEGS
- (2) SIDE 'A' FEET
- (2) SIDE 'B' FEET
- (4) 'T' BRACKETS
- (4) HD BRACES
- (8) LOAD SECURE POSTS

HARDWARE KIT

- (64) 3/8"-16 NUTS
- (64) 3/8" SPLIT LOCK WASHERS
- (16) 3/8"-16 x 1-1/4" HEX BOLTS
- (16) 3/8"-16 x 1-1/2" HEX BOLTS
- (16) 3/8"-16 x 1" HEX BOLTS
- (8) 3/8"-16 x 2" CARRIAGE BOLTS
- (8) 3/8"-16 x 1-3/4" CARRIAGE BOLTS



Before you begin:

Remove all components from the shipping carton.

The rack should be assembled on a padded surface such as carpet to prevent scratching of aluminum surfaces. Remove bands securing components together.

Read the instructions thoroughly to familiarize yourself with the assembly sequence.

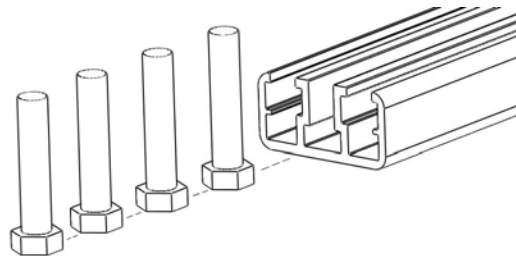
Note that you DO NOT tighten any nuts and bolts until the completed rack is installed on the vehicle unless specified. This allows for minor adjustments to the rack during the installation process.

Gather the following tools used to assemble and install the rack.

- 9/16" Socket or open end wrench
- 3/8" Drill bit and drill
- Pencil or marker
- Tape measure
- Clamp (optional)

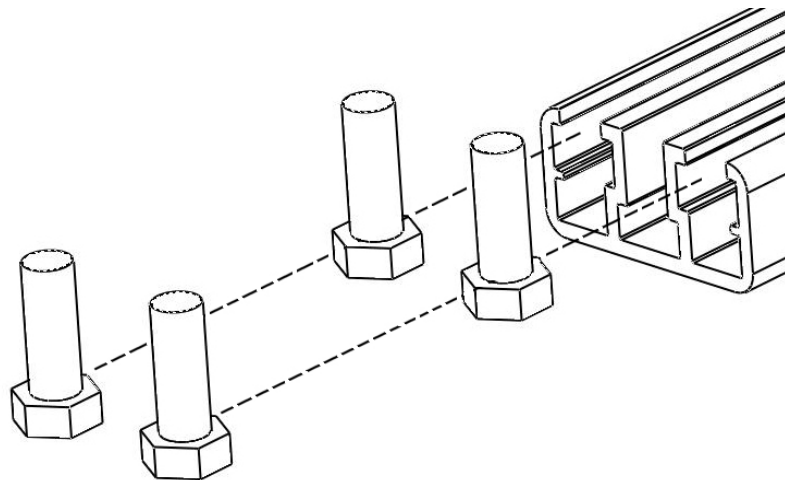
1. Center bolts

Slide in (4) 3/8"-16 x 1-1/2" bolts into the center channel of the crossbar as shown below. Slide the bolts towards the center of the crossbar. Repeat for other crossbar.



2. "T" bracket assembly

Insert (2) 3/8"-16 x 1" bolts into each of the outer channels of the crossbar.



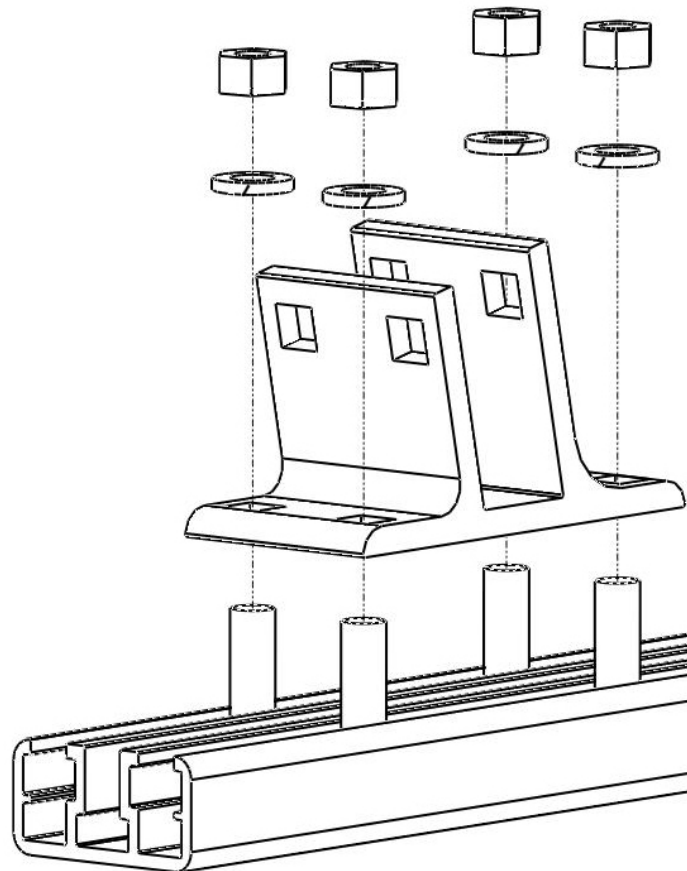
Orientate the 'T' bracket as shown with the angle ends pointing away from the center of the crossbar.

Align the (4) 3/8"-16 x 1" bolts in the crossbar with the square openings on the 'T' bracket.

Place the 'T' bracket over the bolts and onto the crossbar.

Loosely secure with (4) 3/8" split lock washers and (4) 3/8"-16 nuts. Repeat for other side of crossbar.

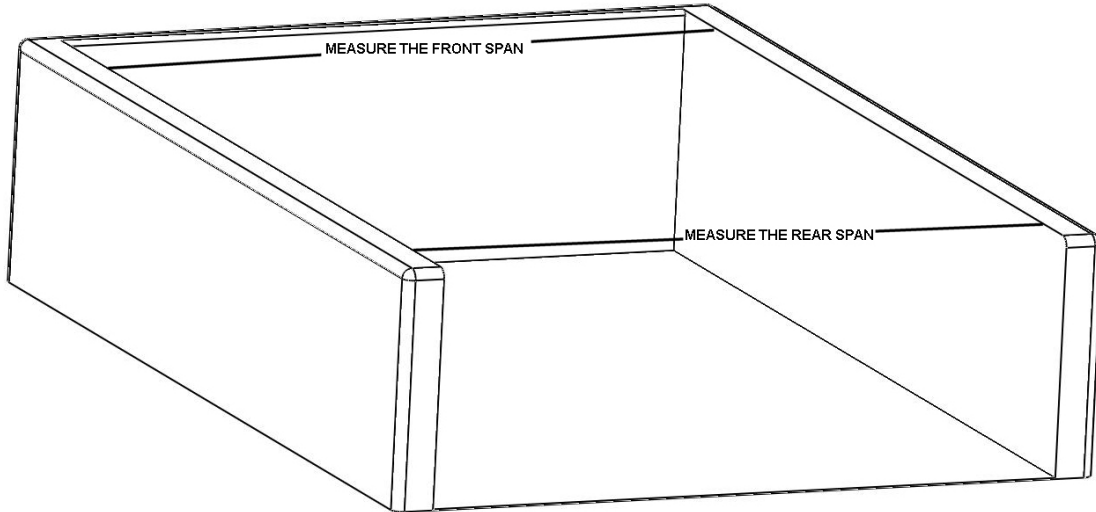
Repeat for other crossbar.



3. Adjust 'T' bracket span to fit truck bed

Some truck beds vary in width in the front and rear of the bed. Performing the following will help in a quicker setup and centering of the rack on the crossbars without having to readjust the 'T' brackets and HD braces.

Measure the truck bed span (width) at the front and rear of the bed and record in the boxes below.



Verify leg length for your specific rack and select which leg height used (length of leg)

24" Leg	26" Leg	28" Leg
4-5/8"	5-1/2"	6-3/8"

The next step will calculate the span between the 'T' brackets. This is the distance from the outside of the 'T' bracket to outside of 'T' bracket on the crossbar as shown below.



For the crossbar which mounts to the front of the truck bed:

Front bed span		Minus		=	Front 'T' bracket span
			Leg height value from box above		

For the crossbar which mounts to the rear of the truck bed:

Rear bed span		Minus		=	Rear 'T' bracket span
			Leg height value from box above		

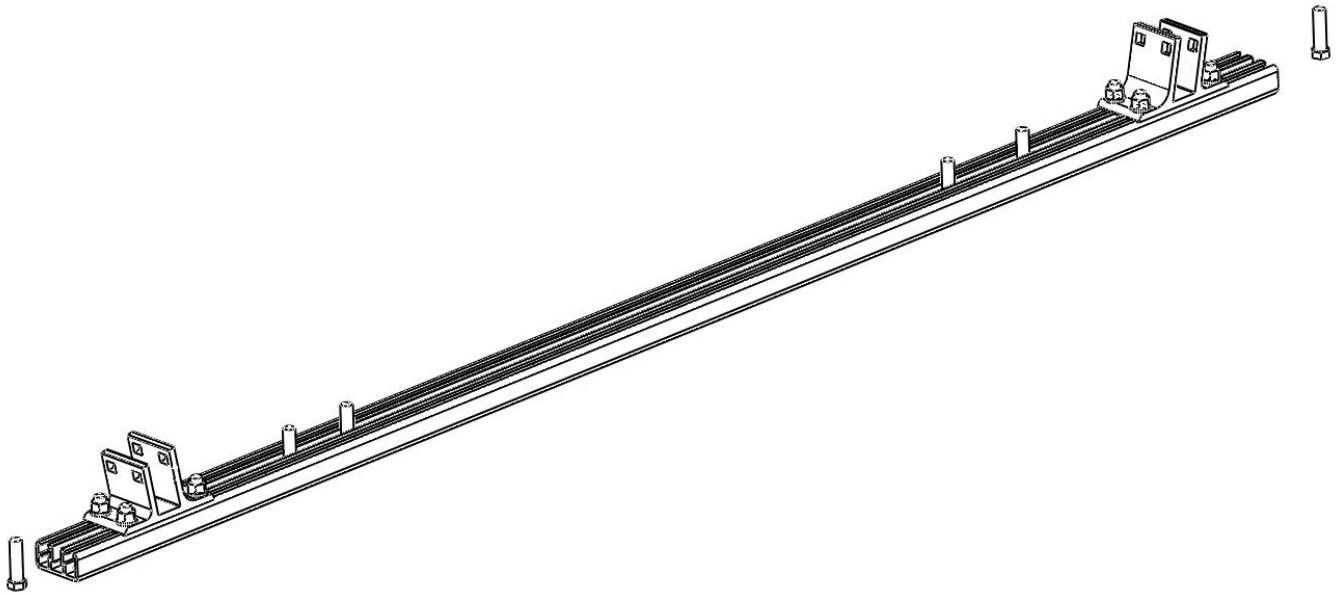
Slide the 'T' brackets with legs apart to the measurement above. Repeat for other crossbar.

Use a tape measure to make sure the 'T' brackets are equally centered on the crossbar by measuring the distance from the outside of the 'T' bracket to the edge of the crossbar. Adjust as needed until both sides are equal.

Tighten all the nuts on each of the 'T' brackets until lock washers are flat but **DO NOT OVERTIGHTEN!**

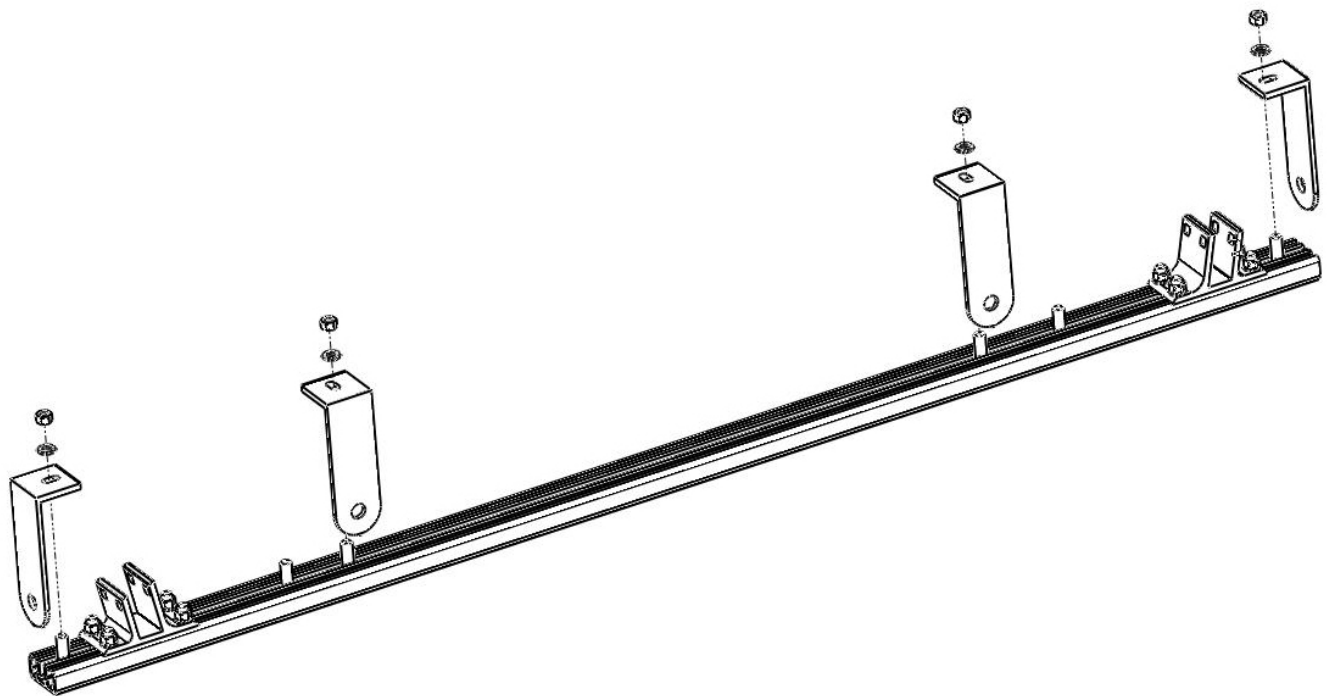
4. Load Secure Post assembly

Slide in (1) 3/8"-16 x 1-1/2" bolt into the center channel of the crossbar on each end as shown below. Repeat on other crossbar.



Install the load secure posts as shown. Place the end load secure posts so they are flush against the crossbar.

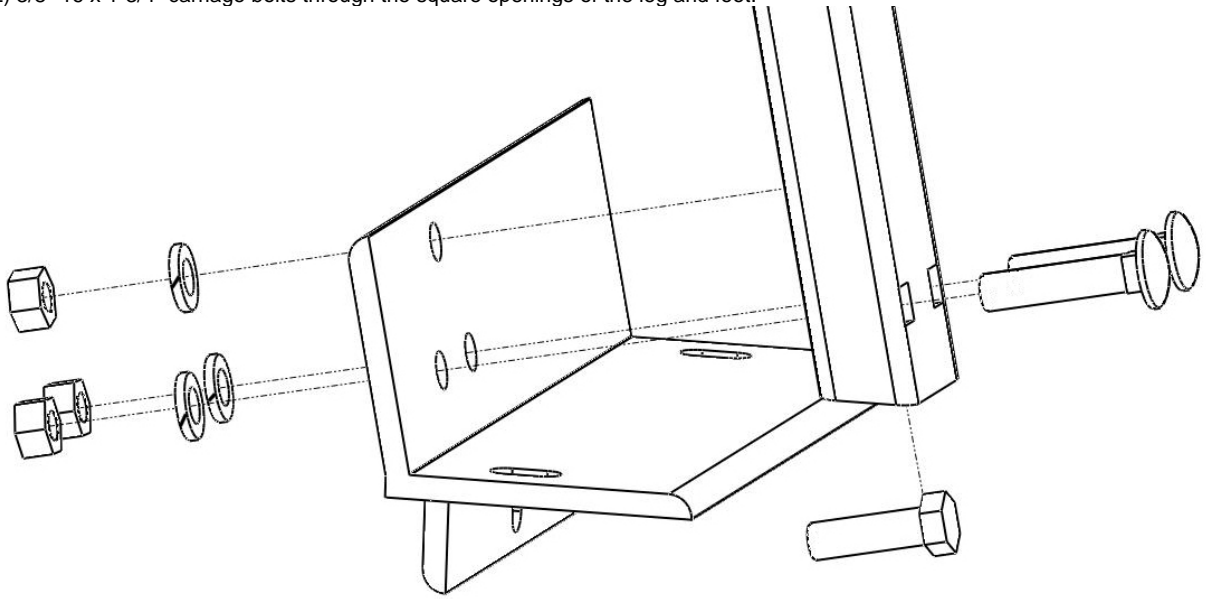
Tighten the load secure posts with 3/8" split lock washers and 3/8"-16 nuts and tighten hardware. Repeat for other crossbar.



5. Assemble the legs to the feet

Slide a 3/8"-16 x 1-1/4" bolt into the center channel of the leg and align with the upper hole on the foot.

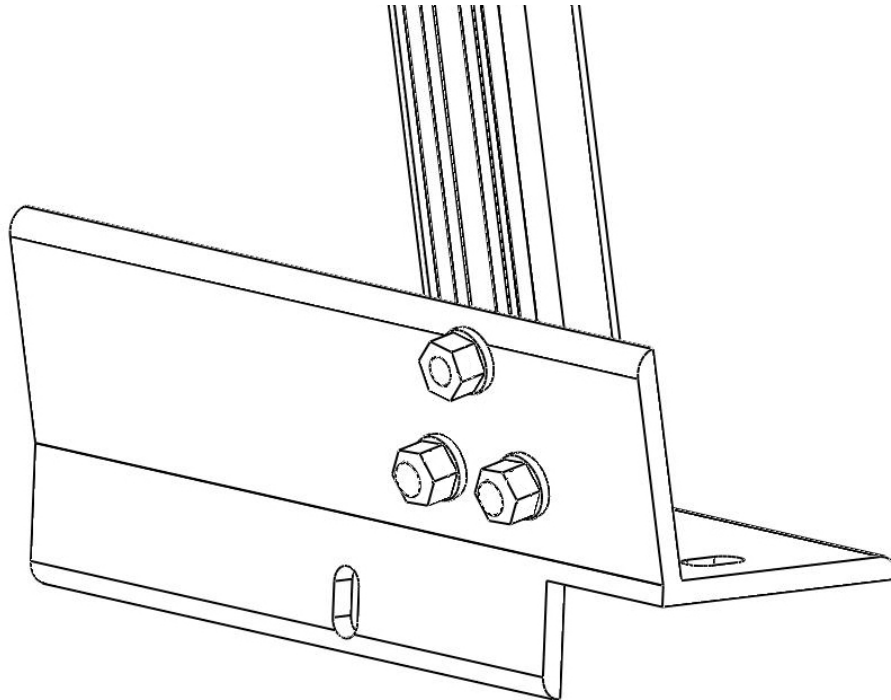
Slide (2) 3/8"-16 x 1-3/4" carriage bolts through the square openings of the leg and foot.



Secure using the 3/8" split lock washers and 3/8-16 nuts until the lock washers are flat but **DO NOT OVERTIGHTEN!**

Repeat for other legs.

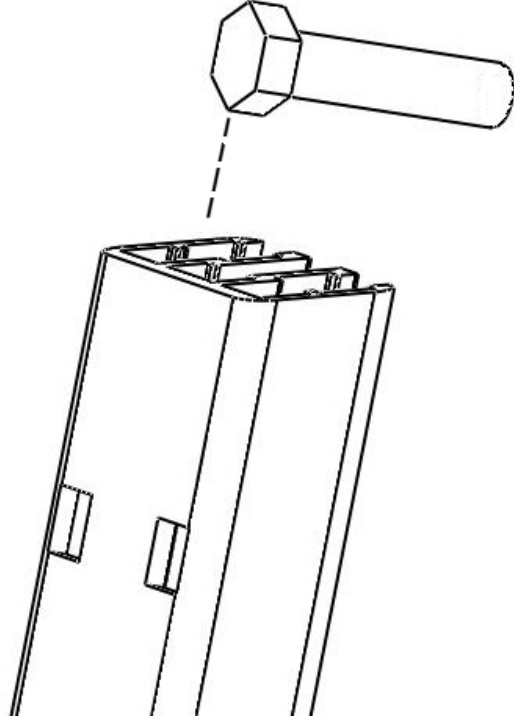
Place each leg assembly such that the notched corner is closest to the end of the bed. Continue to install per rack instructions.



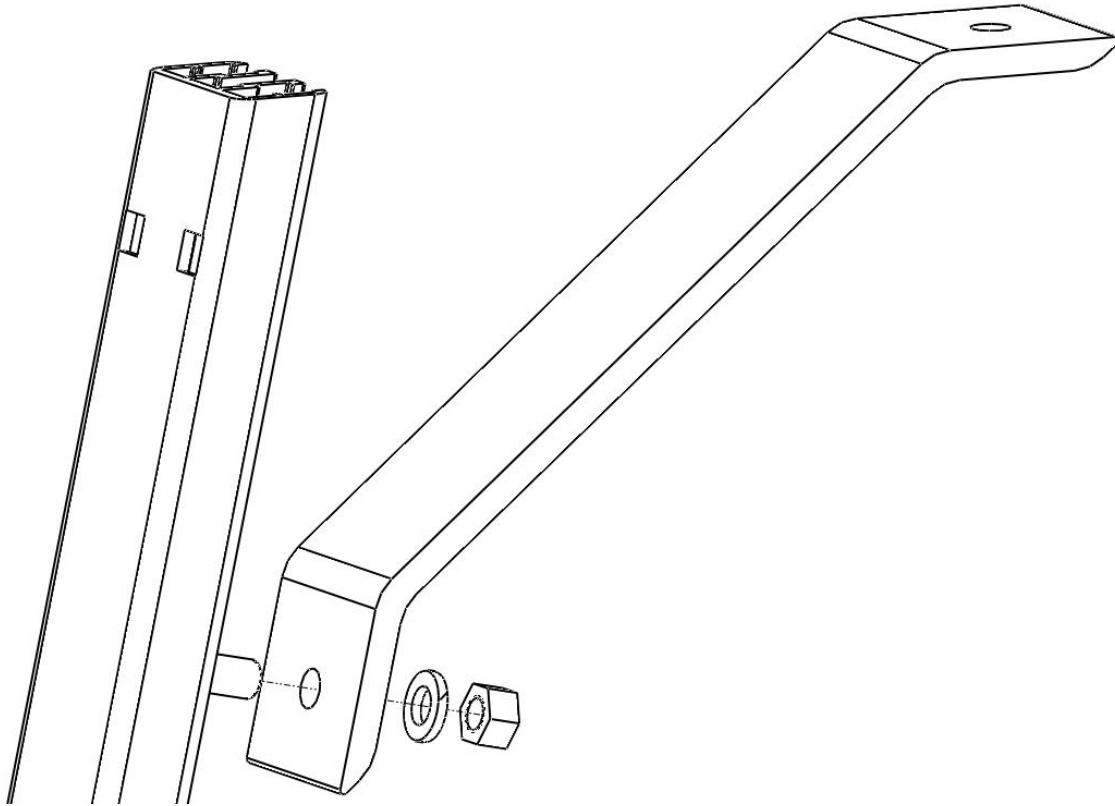
Leg assembly shown can be used in driver's side front corner or passenger's side rear corner.

6. HD Brace assembly

Slide in (1) 3/8"-16 x 1-1/2" bolt into the center channel of the leg as shown below. Repeat for other legs



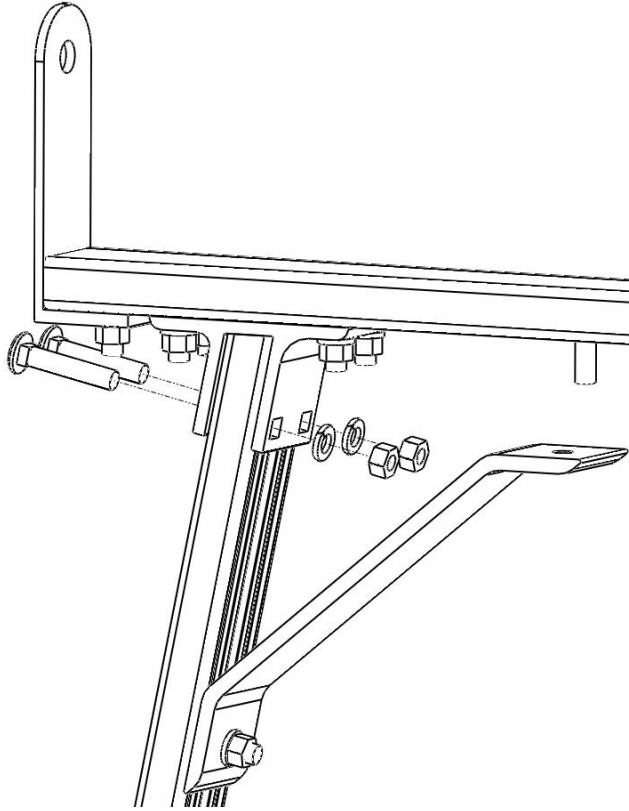
Install the HD brace to the leg by placing the HD brace on the 3/8"-16 x 1-1/2" bolt in the leg. Loosely secure with a 3/8"-16 nut and a 3/8" split lock washer. Repeat for other legs.



7. Rack assembly

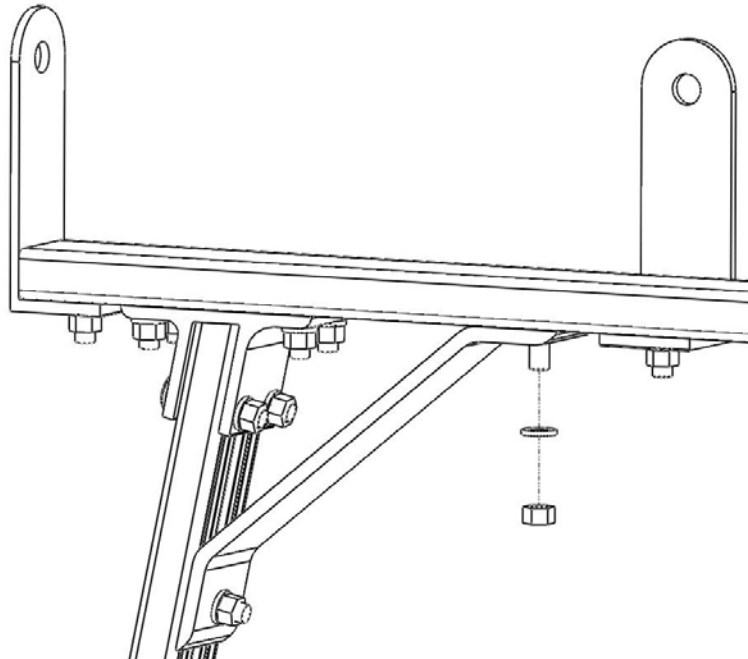
Slide the leg into the 'T' bracket.

Join the leg to the 'T' bracket by installing (2) 3/8"-16 x 2" carriage bolts, (2) 3/8" split lock washers and (2) 3/8"-16 nuts. Leave the bolts loose. Repeat for other legs.



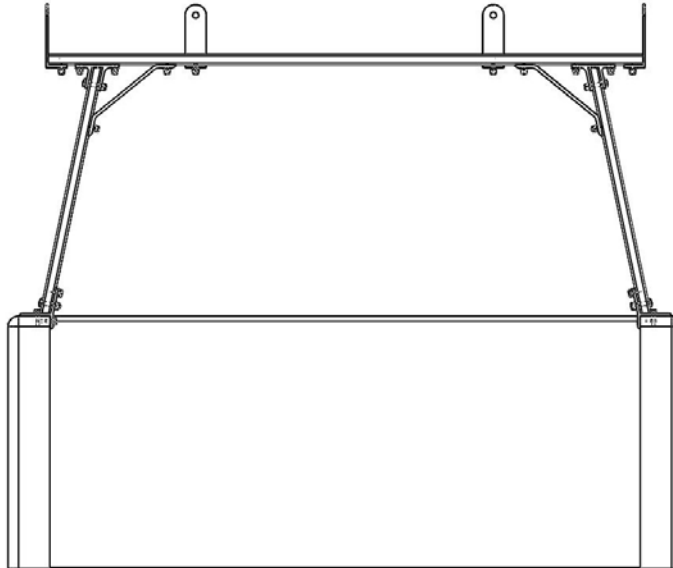
Slide the HD brace along the leg towards the crossbar. Align the 3/8"-16 x 1-1/2" bolt in the crossbar with the top bolt hole on the HD brace.

Loosely secure the HD brace with a 3/8"-16 nut and a 3/8" split lock washer. Repeat for other legs.



8. Place rack on the bed.

Place the rack on the truck to the desired locations. Use a clamp to temporarily secure the feet in place.



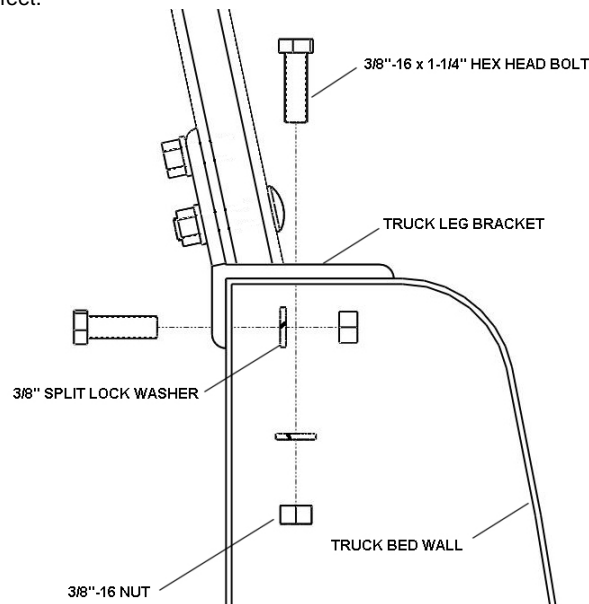
Ensure legs and rack are square and rack is positioned correctly on the truck bed rails.

Examine the truck bed underneath to see if access is available to attach nuts to bolts. Adjust if needed.

Mark the hole positions on all four legs (3 holes per leg bracket – 2 on top and 1 on the inside)

9. Drill and attach brackets to truck bed.

Drill 3/8" holes in all locations where marked. Using (3) 3/8-16 x 1-1/4" hex bolts, (3) 3/8" split lock washers and (3) 3/8"-16 nuts, secure the foot to the truck. Repeat for remaining feet.



10. Tighten all nuts and bolts

Tighten the rack attachment bolts installed in step 9 first before tightening any other rack bolts. Proceed next to the HD brace nuts.

Position the adjustable center load secure posts as needed.

Continue around the rack and tighten all remaining nuts and bolts securely.

Tighten until lock washers are flat but DO NOT OVERTIGHTEN!

Check all rack hardware to make sure all nuts and bolts have been tightened.

Customer Limited Warranty and Standard Return Policy

Hauler Racks, Inc. offers to preferred customers a special limited warranty. It is our goal to provide effective service for any warranty or standard return. This statement of warranty and return policy is divided into two sections: Warranty Returns of Defective Product and Standard Returns of Unused Product.

Warranty Returns of Defective Product

Hauler Racks, Inc. will repair or replace, at its option and without charge, any properly installed Hauler component that fails due to defect in material or workmanship up to 30 days from the initial registered consumer purchase. All of our aluminum product line is guaranteed not to rust or corrode for 1 year. Proof of Purchase must be provided for warranty to be honored.

Loads should never exceed 1/3 of your vehicle's manufacturer's total load capacity. Loads should never extend more than 1 foot on either end of rack. This warranty is void if any damage to the product is due to misuse, abuse, neglect, accident, improper installation, or any uses contrary to the instructions accompanying the product. The warranty is also void if racks are altered in any manner. The racks have been load tested for the racks capacity to hold loads when not on a vehicle. Hauler Racks, Inc. does not warranty load capacities. As the factory has no way of knowing if the product was properly assembled, installed, used according to instructions, or if loads were secured properly.

This warranty covers the cost of the defective component and not the cost of removal, installation or other incidental charges unless other arrangements have been made with Hauler Racks.

This warranty gives you specific legal rights and you may have other rights which vary from state to state.

All warranty claims must receive a Return Authorization number from Hauler Racks, Inc. BEFORE the product is returned to the Company. Please follow this procedure:

1. Call Hauler at 800-843-5445 to request a Return Authorization number. You will need to provide the following information
 - Specific nature of the defect
 - Product installation date
 - Product part number
 - Original sales invoice number
2. When a replacement or repair strategy is determined, a Return Authorization number will be assigned to the claim.
3. A replacement invoice and shipping document will be generated at Hauler Racks to initiate any replacement product. Replacement product will be sent according to standard shipping cycles.
4. The purchaser is responsible for packing and return shipping of the product. The RETURN AUTHORIZATION NUMBER MUST BE CLEARLY MARKED ON THE OUTSIDE OF THE PACKAGE. Unmarked packages will be refused. Any product damage that occurs during the shipping is not covered under warranty. The purchaser must pursue claims for shipping damage with the shipping center.
5. The purchaser is responsible for payment of both the original product invoice and the replacement invoice according to established credit terms.
6. Upon receipt of the returned product, Hauler Racks will review the claim for warranty conformance. If the claim meets warranty criteria, a credit for the original invoice amount will be posted to the purchaser's account and a credit memo will be mailed. If the claim does not meet warranty criteria, the purchaser will receive a statement detailing reasons for partial credit or denial. At the purchaser's option, denied product may be returned to the purchaser.

Standard Returns of Unused Product

Unused product may be eligible for return to Hauler Racks, Inc. Follow the procedure described in the section on Warranty Returns to receive an Authorization Number.

Returned product which is less than 6 (six) months old is subject to a 20% restocking fee.

Returned product which is more than 6 (six) months old may not be eligible for return or may incur additional restocking charges.

UETR SERIES RACKS
HMIS40
Revised 3-15-2011

© 2009 Hauler Racks.