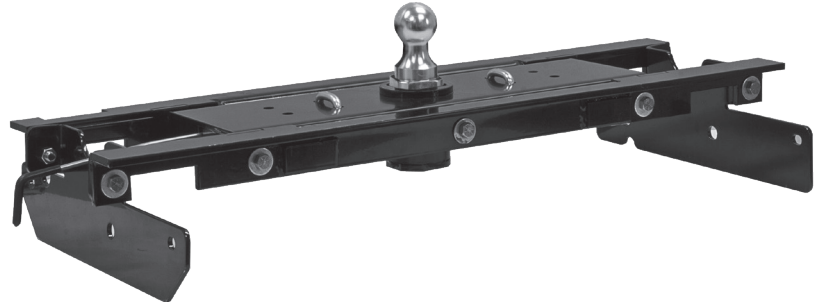


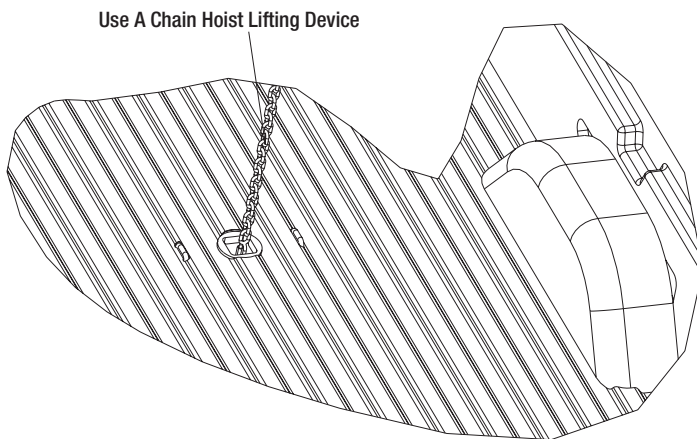
Installation Instructions

5613202 Gooseneck Flip Ball Hitch

F250 & F350 - 2017+ 4WD
 F450 - 2017+ with factory bed 4WD

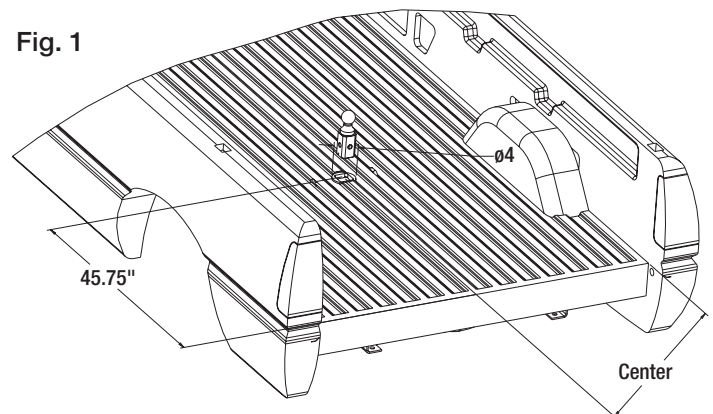


To simplify the installation process, an Overhead Lifting Device is necessary to lift the center section into the appropriate location.



1. Remove the spare tire and spare tire heat shield (if present) and set aside.
2. Follow Galvanic corrosion Notice from Ford SVE Bulletin Q-22R1 when attaching accessories to aluminum body.
3. Temporarily lower the exhaust to make this installation easier. Remove the 10mm cap screws that holds the exhaust brackets onto the frame. This is located behind the rear PS tire.
4. Measure from the back of the truck bed 45.75" and locate the center of the truck bed (fig. 1)
 - A. Mark a spot at the intersection of the two measurements. This is the location of the ball and is critical to the proper operation of the gooseneck flip ball hitch. Double check your measurements.
 - B. After confirming the location, make a 4" hole. A hole saw is recommended. It is a good idea to drill small pilot hole to double check your progress.
 - C. Deburr or grind the hole edges.

Fig. 1



WARNING

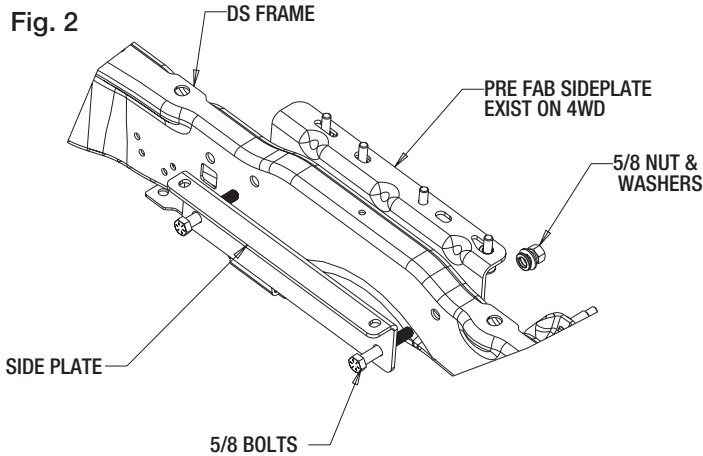
Fuel lines, brake lines, and electrical wires are located along the frame of the truck. When positioning the gooseneck flip ball hitch, care must be taken to avoid damaging these components.

WARNING

Before installing the gooseneck flip ball hitch, check for adequate turning clearance of the front of your trailer and the truck cab

5. Install the DS Side-Plate (8) onto the DS frame of the truck. Secure it to the frame with the 5/8 fasteners (18,19,20) shown in Fig. 2

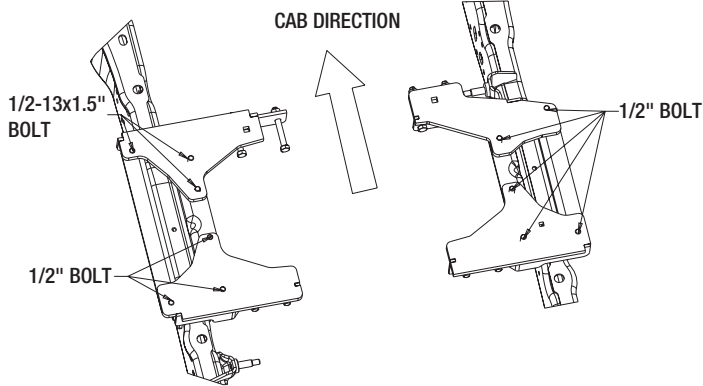
Fig. 2



6. Repeat PS side with the PS Side-Plate (9).

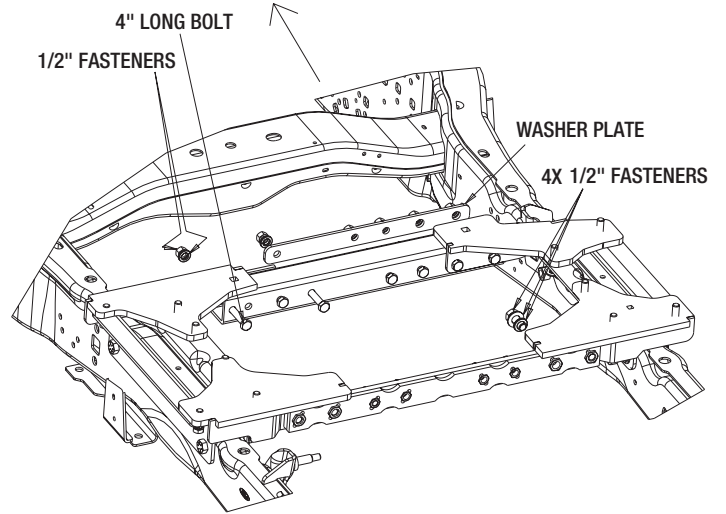
7. Install the four cross member Brackets onto the Side Plates just installed earlier. Match the holes location as shown. The 1/2" bolts holes should match to its precise location. These 4 brackets should fit right on top of the frame and right below the truck-bed. In some rare instances, the truck bed may have to be loosened to allow room for this step to be successful. (fig. 3).

Fig. 3



8. Locate the front cross member tubing (5) with the holes lining up to the Members Brackets installed earlier. Secure the cross members with six 4" bolts. See Fig 4.

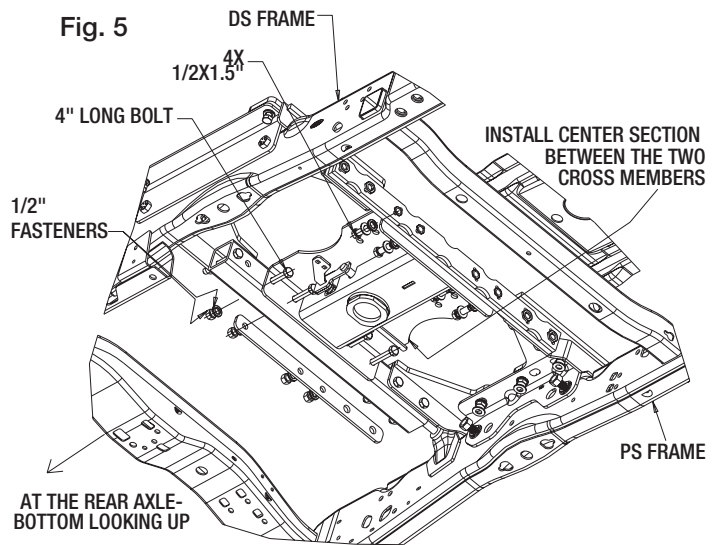
Fig. 4



9. Locate the rear cross member bar plate (2) with holes lining up the Cross Member Brackets. Secure it to the Brackets with four 1/2" fasteners as shown. See Fig 4.

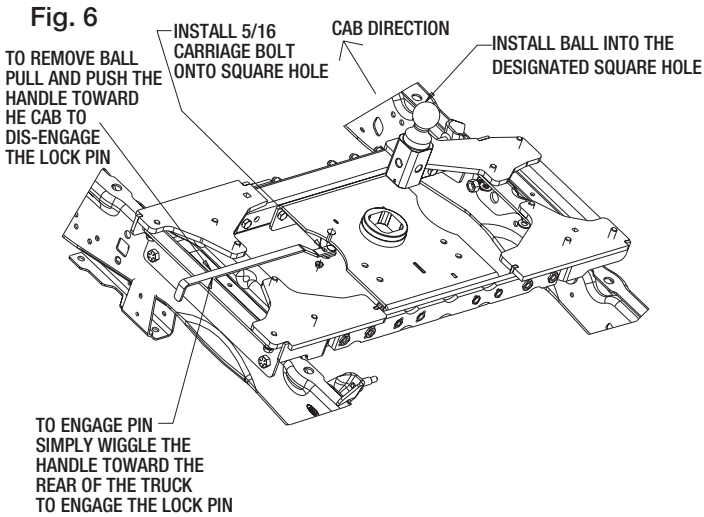
10. Attach the Center Section (1) of the hitch onto the opening center space. It may be a good idea to push the Rear Cross member back while pulling the Front Cross member Forward to make room for this center section. A lifting device is very helpful to aid the installment process. Secure the Center Section with the 1/2" fasteners provided. Use the longer 4" bolt on the square tubing.

Fig. 5



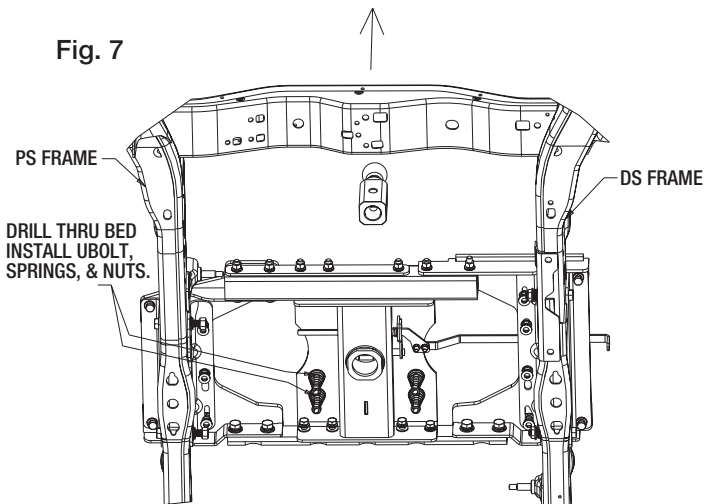
11. Tighten the 1/2" bolts to 80 ft-lbs. Tighten the 5/8" bolts to 110 ft-lbs.

12. Install the Handle Puller (21) onto the Center Section square holes latching bracket. Secure the two parts together with the 5/16 carriage bolts (22, 23) and nuts. The square holes of the Handle and the Latching bracket fits the carriage bolts precisely. The Handle may need a little extra bend with a vise-grip for better maneuverability through the tight opening.



13. To install the 2-5/16" Square Ball, pull the handle out of the truck and push it toward the Cab. A locking lever will latch it and pull the locking pin away from the square hole. This interaction allows the square ball to drop straight through the hole and be locked back into position. Simply wiggle the handle toward the rear and the spring will pull the locking pin into place. Test to make sure the ball is totally engaged. Fig. 6.

14. To install the u-bolt (25, 26, 27), it is necessary to drill four 1/2" holes through the truck bed floor. From the bottom of the truck, drill upward with the 4 existing holes from the center sections. Use the set of existing four holes as a template to drill through the truck bed. Install the 4 tapered springs into the holes just drilled along with the u-bolts. Secure them with 1/2" nuts provided. Make sure to turn the nuts with all the thread engaged and the springs are pulling the u-bolt downward. (fig. 7).



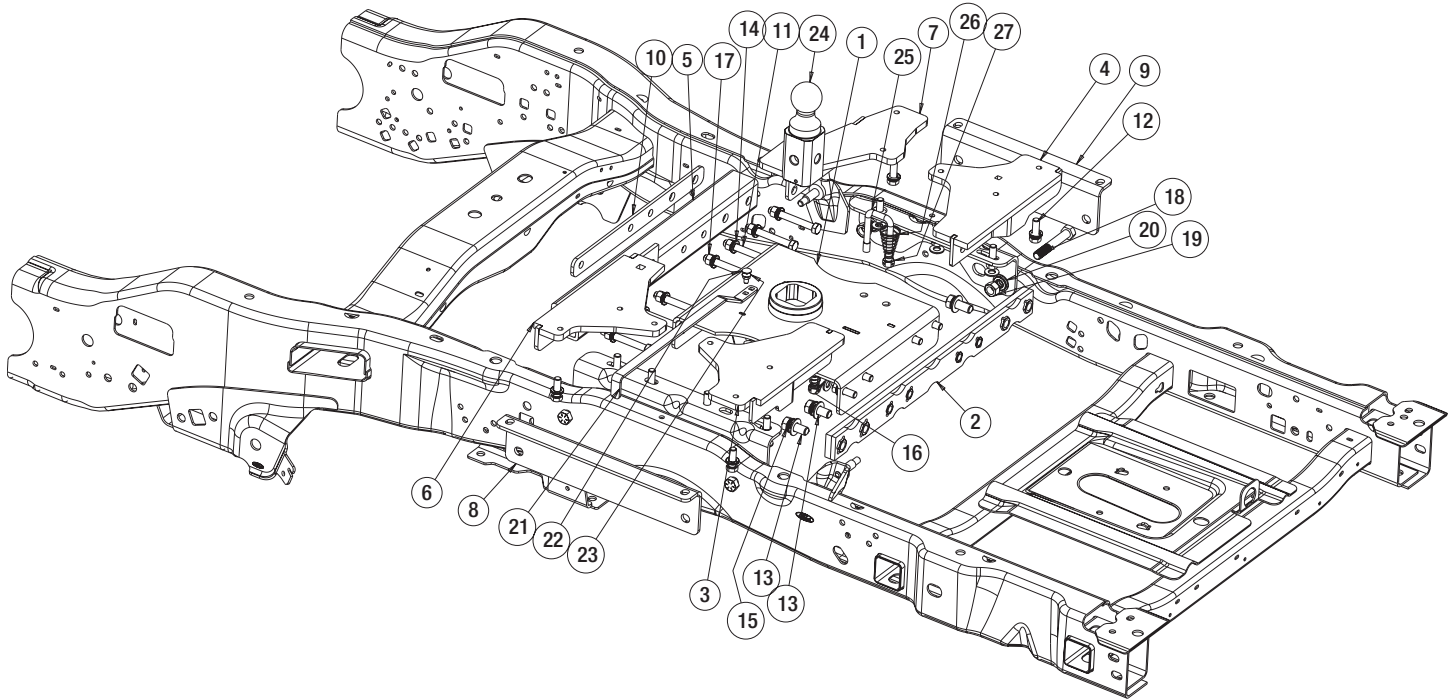
15. Re attach the exhaust pipe that was removed earlier. Re-install spare tire. Re-install any components loosened to make room for this installation.

16. Place the 2-5/16" hitch ball into the newly installed hitch. Pull and turn the latch pin to engage the ball with the hitch. Make sure the pin passes through both holes of the hitch. Remove and grease the square base of the ball to protect it from corrosion. Invert the ball and test it the same way. Make sure the inverted position doesn't interfere with anything from the truck.

WARRANTY

Buyers Products Co. warrants all truck/trailer hardware manufactured or distributed by it, to be free from defects in material and workmanship for a period of one year from date of shipment. Parts must be properly installed and used under normal conditions. Any product which has been altered, including modification, misuse, accident or lack of maintenance will not be considered under warranty. Normal wear is excluded. The sole responsibility of Buyers Products Co. under this warranty is limited to repairing or replacing any part or parts which are returned, prepaid, and are found to be defective by Buyers Products Co. Authorization from Buyers Products Co. must be obtained before returning any part. No charges for transportation or labor performed on Buyers' products will be allowed under this warranty.

Repair Parts - Gooseneck Hitch Assembly



Bill of Materials

ITEM	PART NO.	QTY.	DESCRIPTION
1	3035276	1	CTR SECTION, 2017 F250
2	3035289	1	BAR, CROSS MEMBER CENTER
3	3035313	1	TOP PLATE, REAR DS
4	3035314	1	TOP PLATE, REAR PS
5	3035290	1	TUBING, TRANSITION LINK
6	3035315	1	TOP PLATE, FRONT DS
7	3035316	1	TOP PLATE, FRONT PS
8	3035286	1	SIDEPLATE, ANGLE, DS
9	3035285	1	SIDEPLATE, PS ANGLE
10	3035284	1	SPACER WASHER, LONG
11	3011717	7	SCREW, HEX HD 1/2-13 X 4.00 G8 ZN
12	3006202	15	SCREW, HEX HD 1/2-13 X 1-1/2 G8 ZN
13	3009878	4	SCREW, HEX HD 5/8-11 X 1.5 G8 ZN
14	FWL050088013	22	WASHER, LOCK - 1/2 SPLIT ZN

ITEM	PART NO.	QTY.	DESCRIPTION
15	FWL063108016	8	WASHER, 5/8" REGULAR SPLIT LOCK, ZN
16	FWF050106010	17	WASHER, FLAT 1/2" SAE ZINC
17	3006201	7	NUT, 1/2-13 HEX GR. 8 ZP
18	3035648	4	SCREW, 5/8-11 X 4IN, G8 Y ZN
19	FNH063011054	4	NUT, HEX 5/8-11 GRADE 5, ZINC
20	3011228	8	WASHER, 5/8 SAE FLAT ZN
21	3035312	1	HANDLE PULLER, 17 F250
22	3026934	2	BOLT, CARRIAGE, 5/16-18 X 1 SST
23	3003777	2	NUT, SERRATED FLANGE 5/16-18 ZINC
24	3018195	1	BALL, FLIP-OVER, MACHINED
25	3018214	2	U-BOLT, SQUARE ZINC, SPECIAL
26	3018215	4	SPRING, COMPRESSION, TAPER COIL
27	3002218	4	NUT. CENTER LOCK HEX 1/2-13 ZN