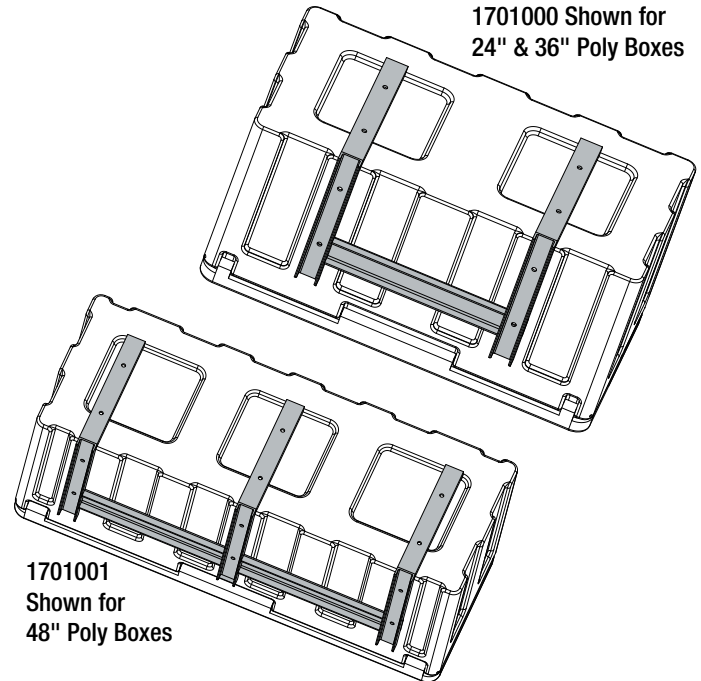
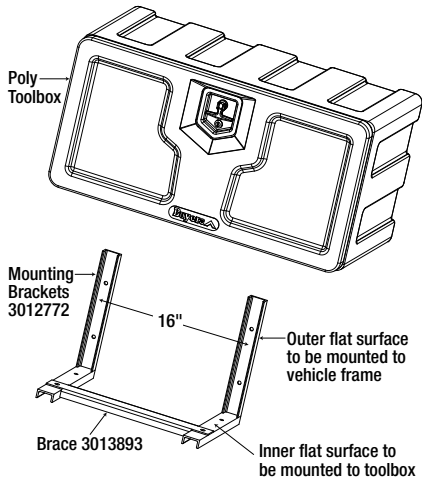


# Poly Toolbox Mounting Instructions

Please read these instructions and warnings before installation.

## 1701000 & 1701001 Mounting Kits



### **CAUTION**

Do not use this toolbox for the storage or transportation of flammables, explosives, hazardous waste or materials such as gasoline, solvents, gun powder, dynamite, propane tanks, acetylene tanks or cutting torches. This toolbox is only intended and safe for use in storing and transporting small tools and equipment and/or other materials.

### **WARNING**

1. If the proper mounting brackets are not used, the toolbox could drop off the vehicle while it is moving and cause personal injury and/or property damage.
2. Mounting your toolbox through the top, back or sides without bottom support will significantly reduce the capacity and possibly the life of the toolbox.
3. Prior to any welding or drilling holes in a vehicle frame, check for location of fuel tanks, fuel lines, brake lines or electrical wires.
4. If welding is to be done on a vehicle frame in the mounting of this toolbox, disconnect the cables from the battery to prevent shorting of electrical components on the vehicle.
5. Always wear protective eyewear when drilling, welding or checking the underside of a vehicle.

1701001  
Shown for  
48" Poly Boxes

**Mounting brackets to be placed on 18" centers for proper installation of the cross brace.**

Position brackets and toolbox as needed. Mark hole locations. Mounting brackets must be on 18" centers to allow use of support brace; box must sit on raised section of ribs. Drill 3/8" holes on truck frame. Drill corresponding holes on backside poly-box. Mount poly-box and mounting brackets to frame. Drill through bottom of mounting brackets and into bottom of poly-box. Assemble brace and bolt securely. Washers or shims may be needed to reduce gap between mounting brackets and box due to thickness of support brace. Paint drilled holes to prevent rust. Silicone drill holes to prevent leaks. If support brace is not used due to size constraints, it is strongly recommended to fabricate a custom bracket to support the bottom of the box.

### **Warranty**

Buyers Products Co. warrants all truck/trailer hardware manufactured or distributed by it, to be free from defects in material and workmanship for a period of one year from date of shipment. Parts must be properly installed and used under normal conditions. Any product which has been altered, including modification, misuse, accident or lack of maintenance will not be considered under warranty. Normal wear is excluded. The sole responsibility of Buyers Products Co. under this warranty is limited to repairing or replacing any part or parts which are returned, prepaid, and are found to be defective by Buyers Products Co. Authorization from Buyers Products Co. must be obtained before returning any part. No charges for transportation or labor performed on Buyers' products will be allowed under this warranty.