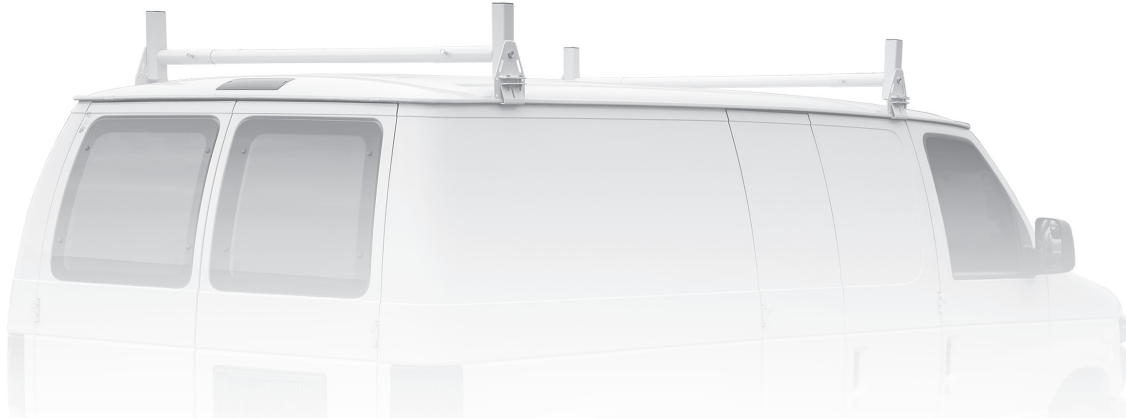


Installation Instructions

.....

1501310 Van Ladder Rack 1501311 Van Ladder Rack Single Crossbar



Before assembling your Buyers' ladder rack it is important to read, understand, and follow all listed instructions.

1. Crossbar Assemblies (Figs. 1 & 2)

- Using the M12 bolts and lock washer, install each of the Side Mount Tubes to the Gutter Mount Brackets. Use the top hole in the Gutter Mount Bracket for the front and rear crossbars. Use the bottom hole for a center crossbar (1501311).

NOTE: It is recommended that all weld nuts face rearward to limit weather exposure and to prevent the set screws from contacting objects carried on rack.

- If desired, slide one Divider Bracket onto each Crossbar.
- Insert the Crossbars into the Side Mount Tubes.

2. Installing the Crossbar Assemblies

- Determine the location on your van to mount each Crossbar Assembly.
- Place each Crossbar Assembly in the rain gutters of the van. Be sure the outside edges of the Gutter Mount Brackets sit against the widest part of the gutter (against outer flanges).

3. Install the Clamp Brackets (Fig. 1)

NOTE: TWO styles of clamp bracket are included in the kit in order to better cover multiple brands of van. It is the responsibility of the installer and/or end user to make sure the best fitting bracket is used.

Line up each style of Clamp Brackets against the Gutter Mount Bracket and below the gutter of your van. After choosing the best fitting Clamp Bracket style, install all four Clamp Brackets using the included M7 hardware.

4. Final Assembly

- Position the Divider Brackets to desired locations
- Tighten all M10 set screws and confirm all other hardware is tight.

WARNING

Never exceed any manufacturer rating or recommendation.

Maximum load for the Rack is 600 lbs (evenly distributed).

All loads should be evenly distributed

Be certain all loads are properly secured on Rack before moving the van.

Always load the Rack as low as possible. Any load carried on the Rack will affect stability of the Van and may increase the tendency of the vehicle to rollover.

Before each use, verify all hardware remains tight and the rack has remained in the proper position.

Fig. 1

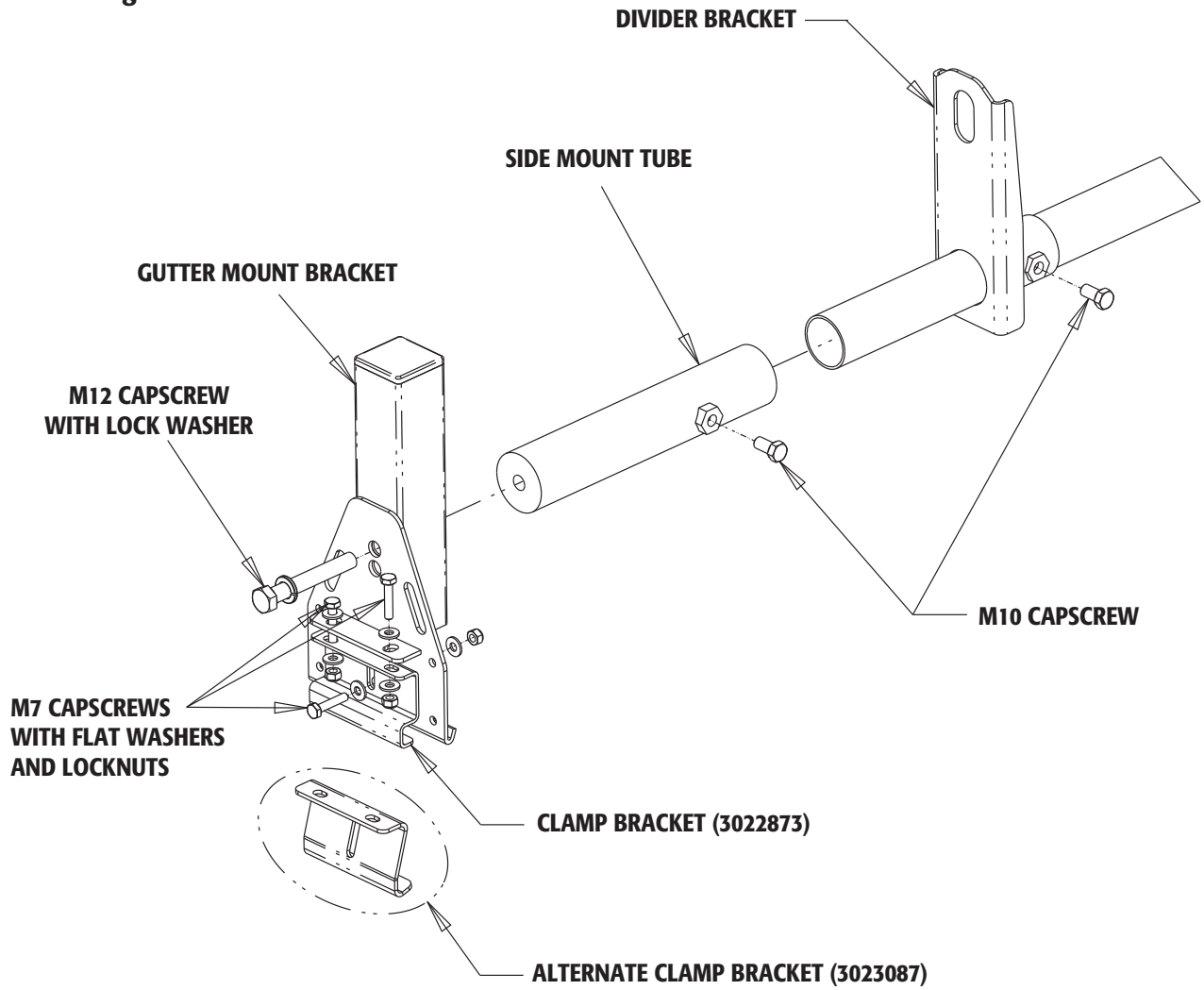
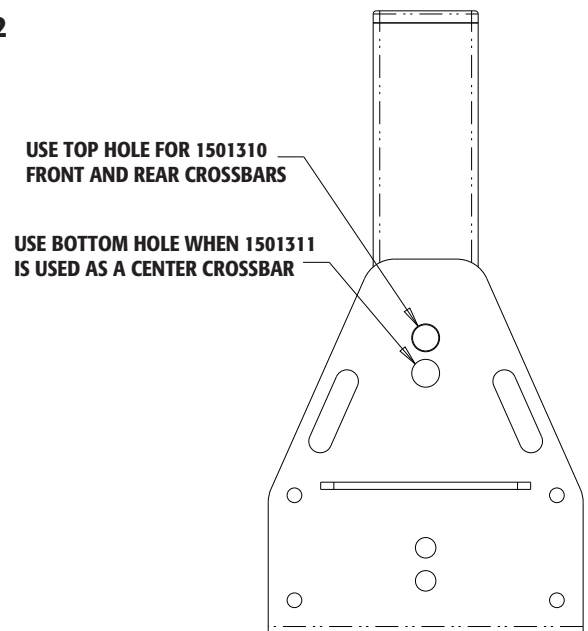
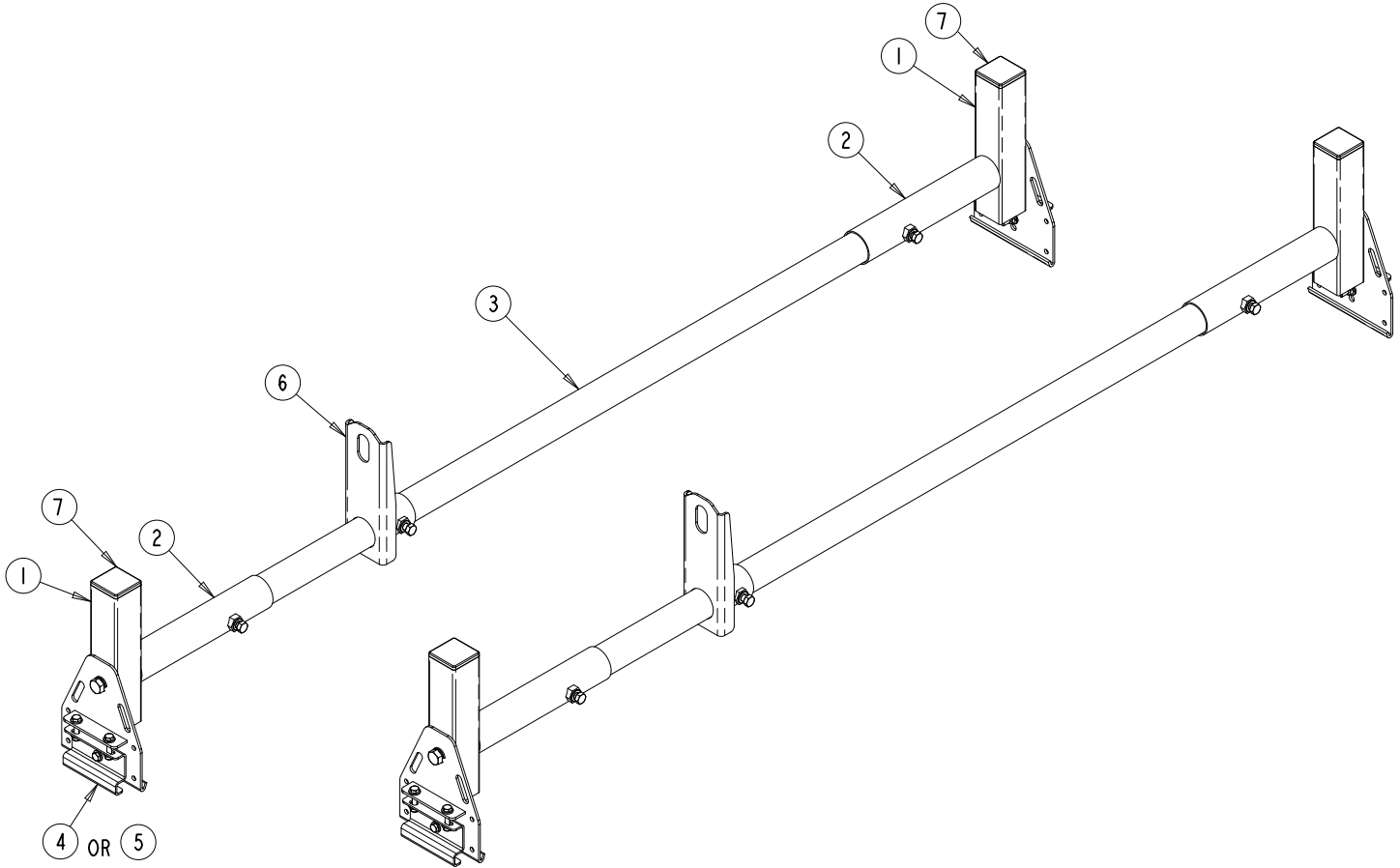


Fig. 2



1501310 Bill of Materials



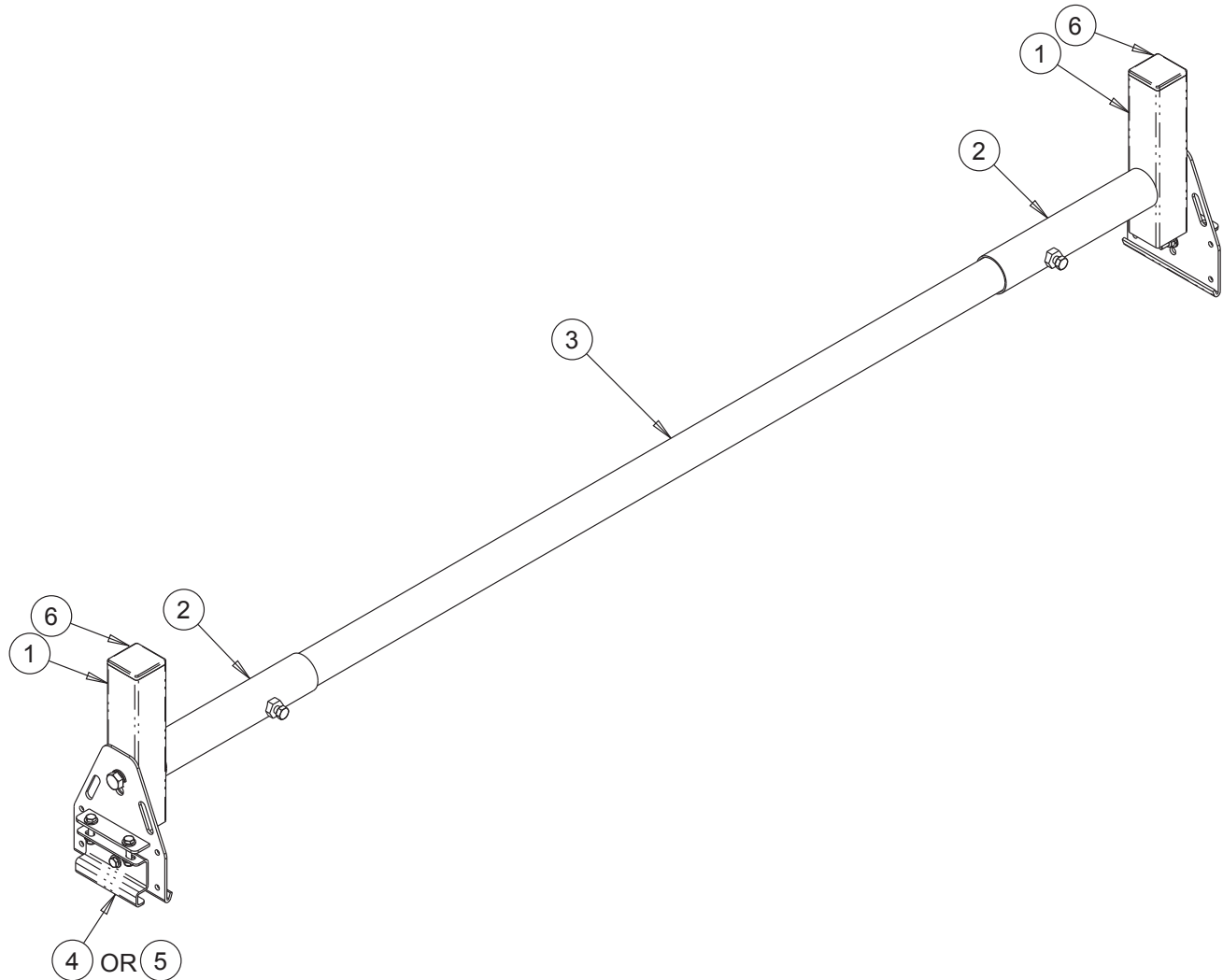
Bill of Materials

| ITEM | PART NO. | QTY. | DESCRIPTION |
|------|----------|------|--------------------------------|
| 1 | 3023084 | 4 | GUTTER MOUNT BRACKET |
| 2 | 3023086 | 4 | SIDE MOUNT TUBE |
| 3 | 3022898 | 2 | CROSSBAR |
| 4 | 3022873 | 4 | CLAMP BRACKET |
| 5 | 3023087 | 4 | CLAMP BRACKET, ALTERNATE |
| 6 | 3022865 | 3 | DIVIDER BRACKET |
| 7 | 3022897 | 4 | PLUG, TUBE |
| - | 3022870 | 1 | HARDWARE KIT, VAN RACK 1501310 |

Hardware Kit

| QTY. | DESCRIPTION |
|------|---|
| 4 | M12 X 80 HEX HEAD CAPSCREW |
| 6 | M10 X 12 HEX HEAD CAPSCREW |
| 12 | M7 X 30 HEX HEAD, (2) FLAT WASHERS AND A LOCK NUT |
| 12 | M7 X 45 HEX HEAD, (2) FLAT WASHERS AND A LOCK NUT |

1501311 Bill of Materials



Bill of Materials

| ITEM | PART NO. | QTY. | DESCRIPTION |
|------|----------|------|--------------------------|
| 1 | 3023084 | 2 | GUTTER MOUNT BRACKET |
| 2 | 3023086 | 2 | SIDE MOUNT TUBE |
| 3 | 3022898 | 1 | CROSSBAR |
| 4 | 3022873 | 2 | CLAMP BRACKET |
| 5 | 3023087 | 2 | CLAMP BRACKET, ALTERNATE |
| 6 | 3022897 | 2 | PLUG, TUBE |
| - | 3023090 | 1 | HARDWARE KIT, 1501311 |

Hardware Kit

| QTY. | DESCRIPTION |
|------|---|
| 2 | M12 X 80 HEX HEAD CAPSCREW |
| 2 | M10 X 12 HEX HEAD CAPSCREW |
| 6 | M7 X 30 HEX HEAD, (2) FLAT WASHERS AND A LOCK NUT |
| 6 | M7 X 45 HEX HEAD, (2) FLAT WASHERS AND A LOCK NUT |

WARRANTY

Buyers Products Co. warrants all truck/trailer hardware manufactured or distributed by it, to be free from defects in material and workmanship for a period of one year from date of shipment. Parts must be properly installed and used under normal conditions. Any product which has been altered, including modification, misuse, accident or lack of maintenance will not be considered under warranty. Normal wear is excluded. The sole responsibility of Buyers Products Co. under this warranty is limited to repairing or replacing any part or parts which are returned, prepaid, and are found to be defective by Buyers Products Co. Authorization from Buyers Products Co. must be obtained before returning any part. No charges for transportation or labor performed on Buyers' products will be allowed under this warranty.